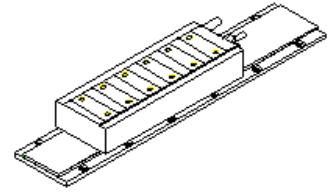


TSA-CMI Series

Platen, Core Type Linear Motor

TSA-CMI Series has improved driving force by applying laminated core
Optimal design of efficient magnetic circuit

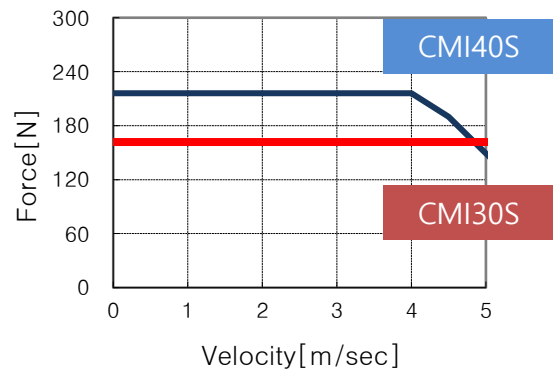
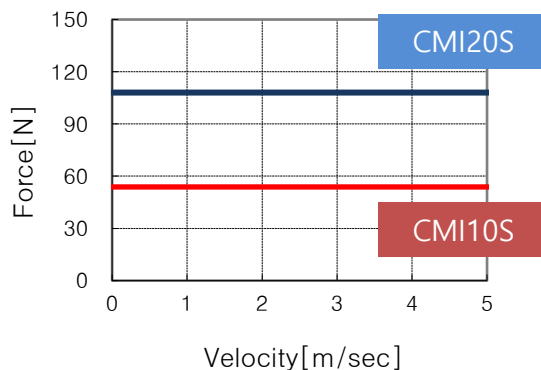
- ▶ Rated Condition : Continuous
- ▶ Voltage Endurance : AC1500V, 1Min
- ▶ Operating Temperature : 0~40°C
- ▶ Power : 3-phase AC200~230V



■ Specification

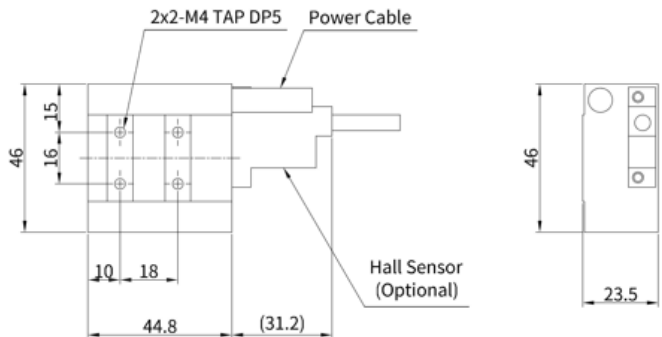
| | | CMI10S | CMI20S | CMI30S | CMI40S |
|---|------------|--------|--------|--------|--------|
| Force [N] | Continuous | 18 | 36 | 54 | 72 |
| | MAX | 54 | 108 | 162 | 216 |
| Current [A _{rms}] | Continuous | 1.3 | 1.3 | 1.3 | 1.3 |
| | MAX | 3.9 | 3.9 | 3.9 | 3.9 |
| Back EMF [V _{rms} / (m/sec)] | | 4.9 | 9.5 | 14.7 | 19.0 |
| Force Constant [N / A _{rms}] | | 13.8 | 27.7 | 41.5 | 55.4 |
| Resistance [Ω] | | 4.5 | 9.0 | 13.5 | 18.0 |
| Inductance [mH] | | 5.1 | 9.7 | 14.4 | 19.8 |
| Magnetic Attraction Force [N] | | 100 | 200 | 300 | 400 |

■ Force-speed characteristic

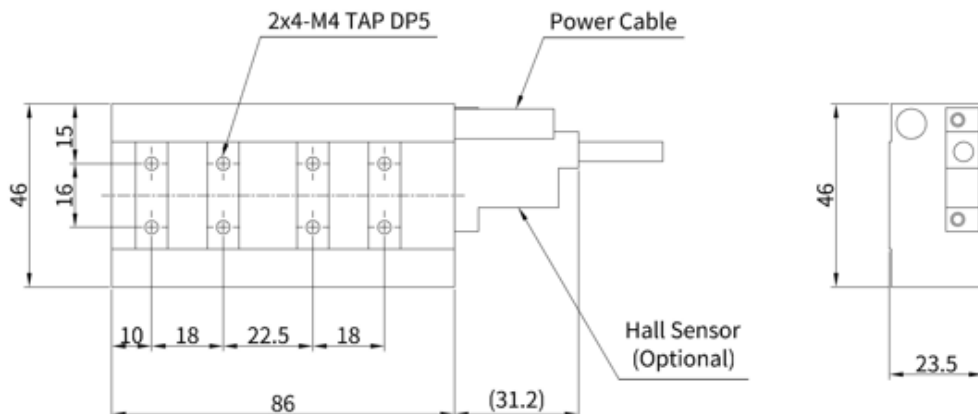


General Dimensions

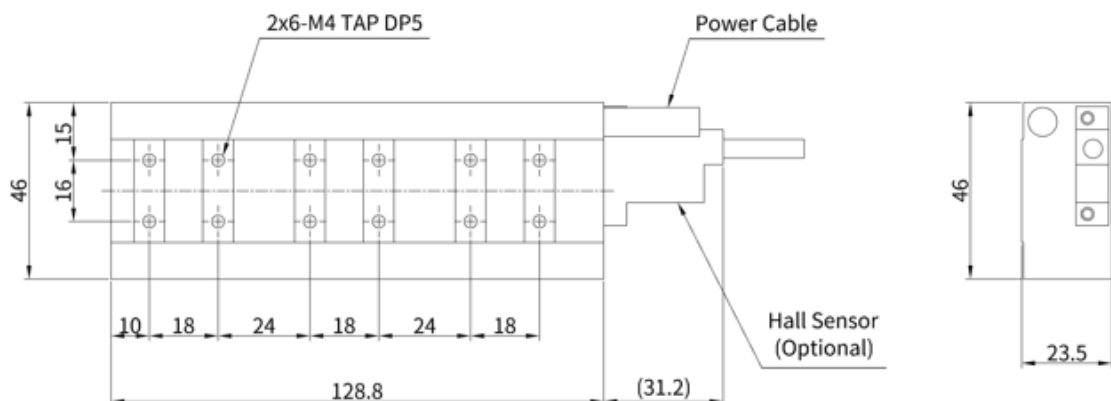
CMI 10S Dimensions



CMI 20S Dimensions

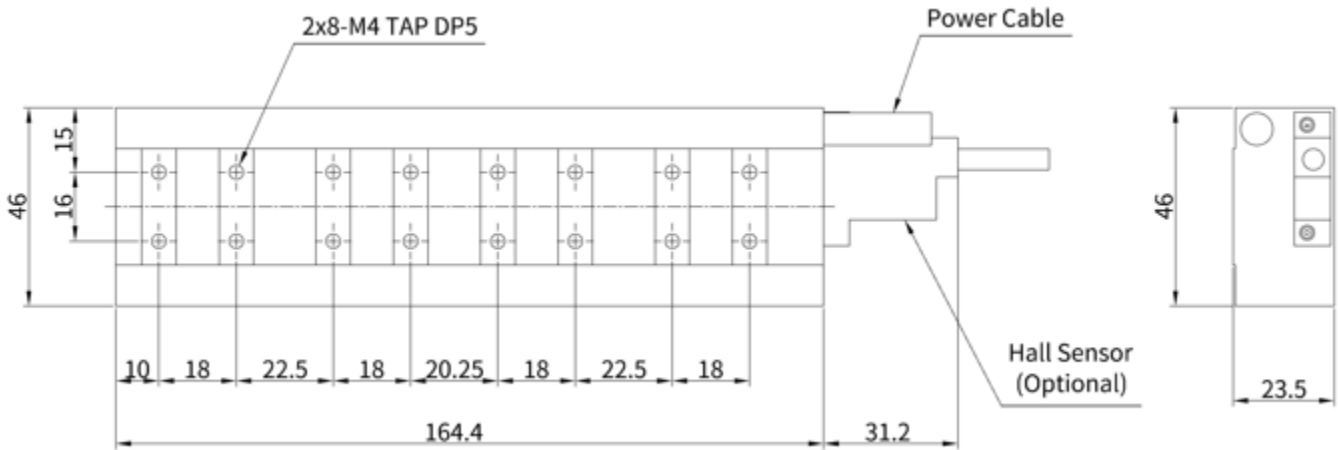


CMI 30S Dimensions

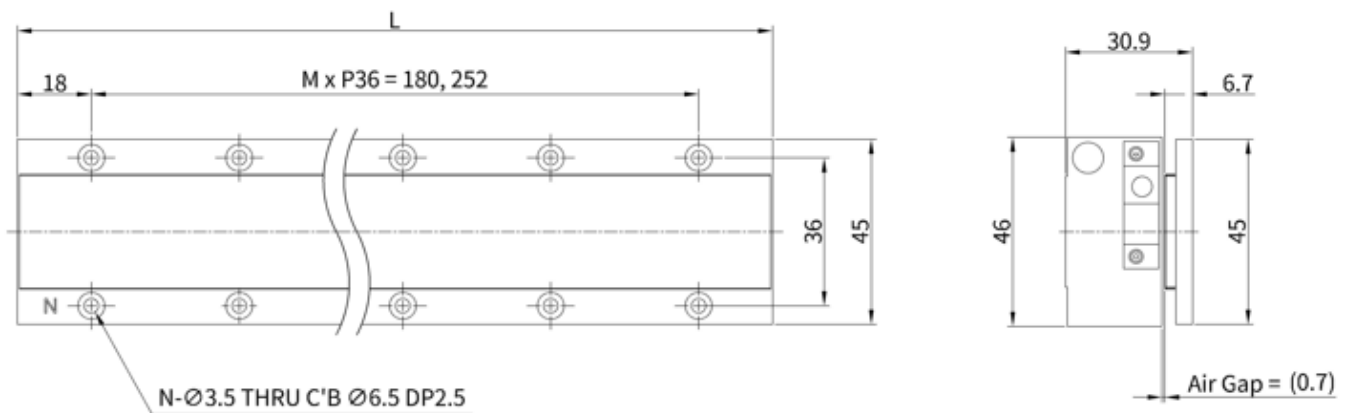


General Dimensions

CMI 40S Dimensions

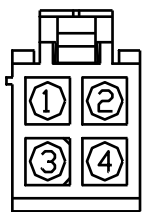


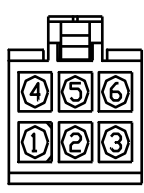
Stator Dimensions



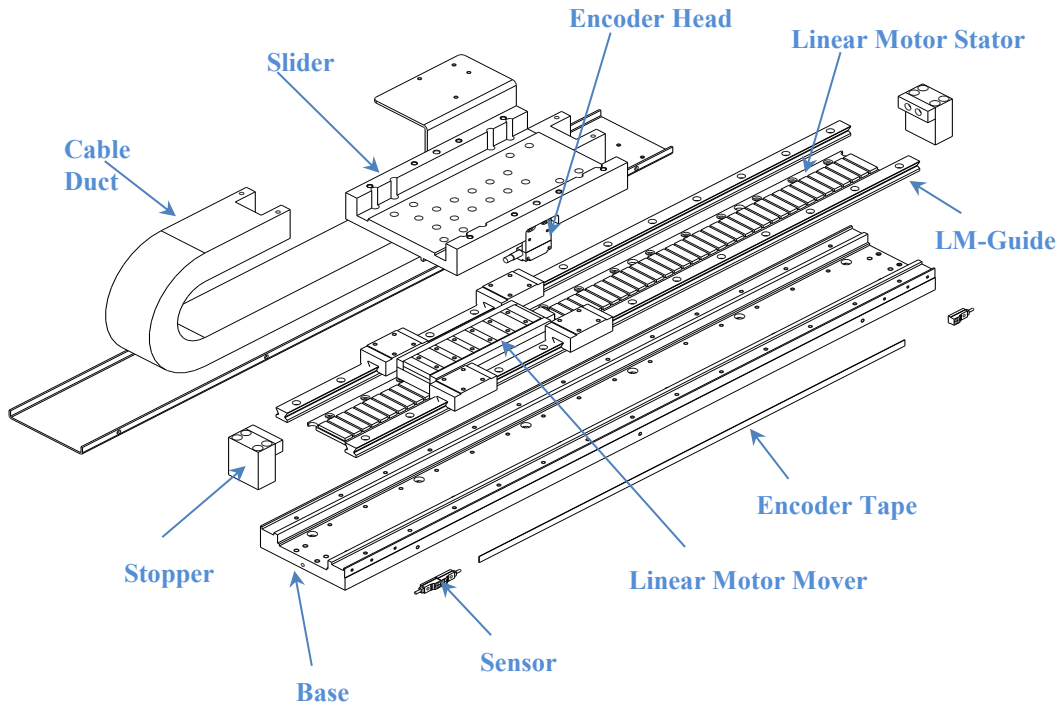
| Model | L | M | N |
|---------|-----|---|----|
| CMI 180 | 180 | 4 | 10 |
| CMI 252 | 252 | 6 | 14 |

Connector

| Power Connector | | |
|---|-----------|-------------|
|  | Housing | AMP172167-1 |
| | Pin | AMP170360-1 |
| | 1 | U(Red) |
| | 2 | V(Yellow) |
| | 3 | W(Blue) |
| 4 | FG(Green) | |

| Hall Sensor Connector | | |
|---|---------|----------------|
|  | Housing | MOLEX5557D-06R |
| | Pin | MOLEX5556 |
| | 1 | HA(Orange) |
| | 2 | HB(White) |
| | 3 | HC(Blue) |
| | 4 | 5P(Red) |
| | 5 | 5G(Black) |
| 6 | SHILED | |

System Configuration



(주) 가온테크
GAON TECH Co., Ltd

경기도 부천시 석천로 397
부천테크노파크 쌍용3차 102-1204

Email : gaon_linear@naver.com

Tel : 032-624-0838
Fax : 032-724-0834